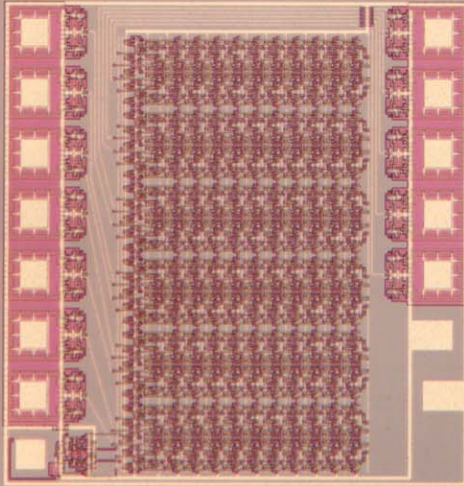
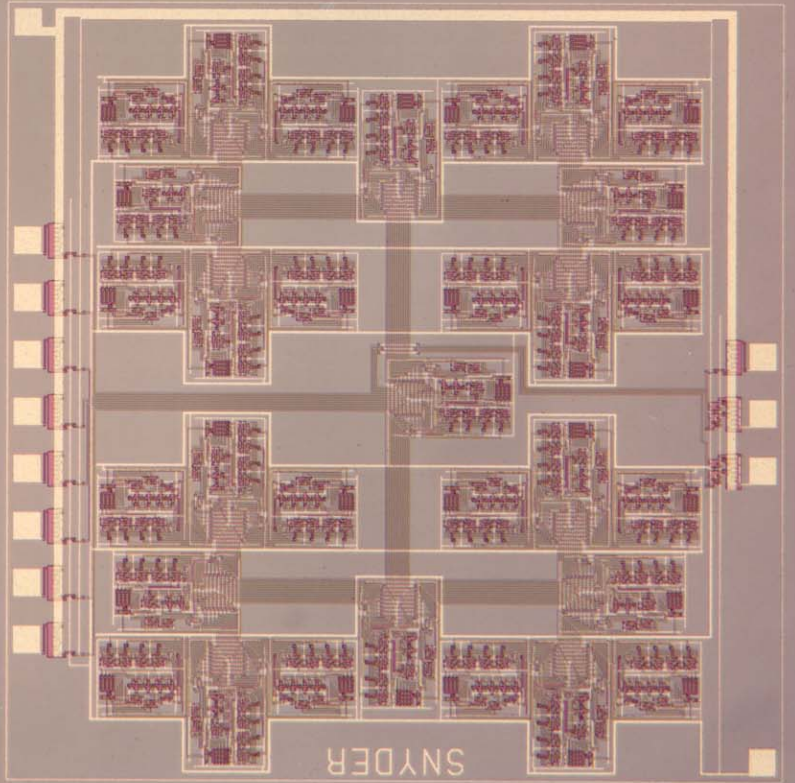
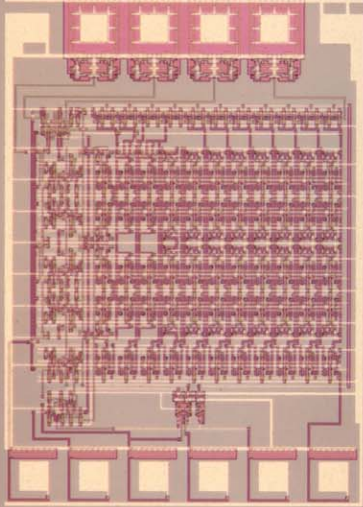
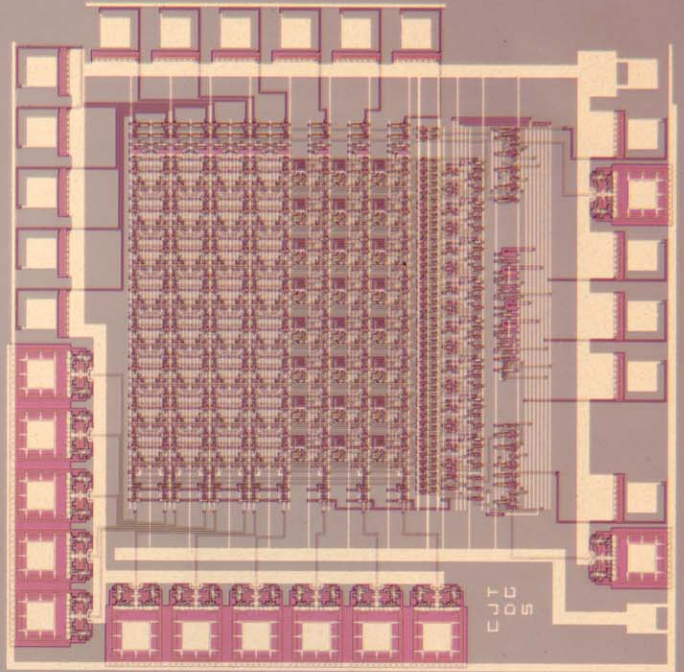
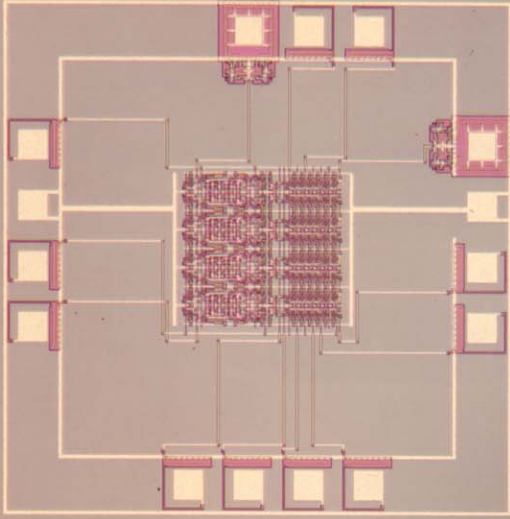


G



DIF + **CUT** +

MEI +

SOL +

MPC79AG
ALTERNATE
300,000 GATES
100,000 MEMORY CELLS
100,000 LOGIC BLOCKS
100,000 INTERCONNECTS
100,000 PERIPHERALS
100,000 I/O PORTS
100,000 MEMORY CELLS
100,000 LOGIC BLOCKS
100,000 INTERCONNECTS
100,000 PERIPHERALS
100,000 I/O PORTS

SNYDER